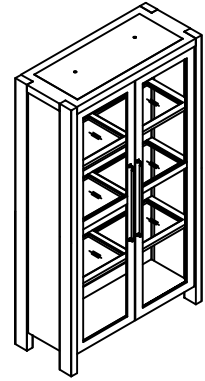


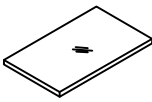


**Warning :**

- Be sure to check all packing material carefully for small parts, which may have come loose inside the carton during shipment.
- To prevent possible scratches and damage, this furniture must be assembled on a soft surface such as a blanket or carpet.

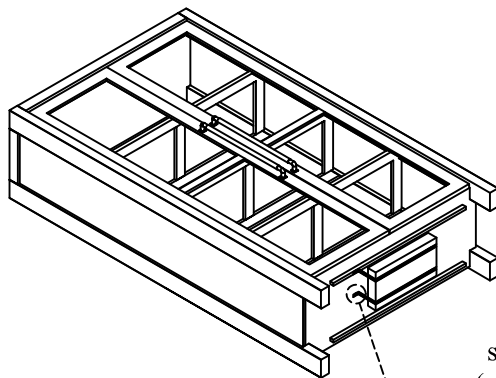


91054  
Display Cabinet

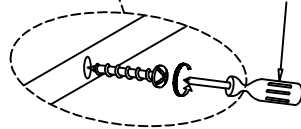
**Components and Hardware List**

<p>Glass Shelf</p>  <p>(A) 6 pcs.</p>	<p>Furniture Tipping Restraint Kit</p>  <p>(B) 1 pc.</p>	<p>Screw Driver not included</p> 
--	---	--

**STEP 1**

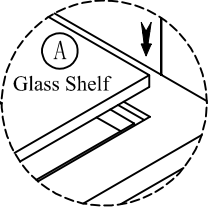
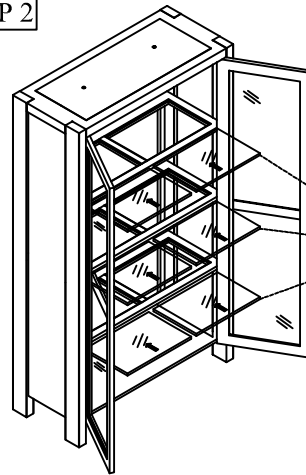


screwdriver  
(not included)

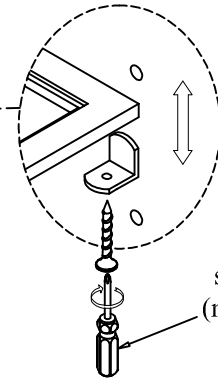
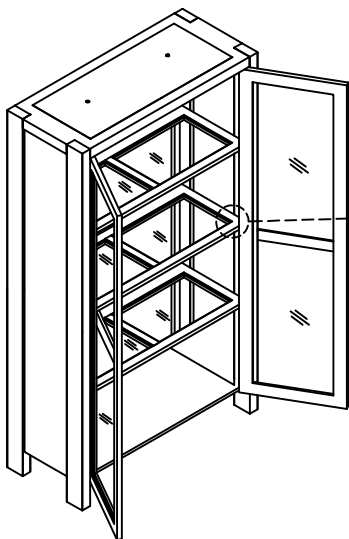


Remove screws to access the carton containing glass shelves.

**STEP 2**



**STEP 3**



Unscrew to adjust the shelf height

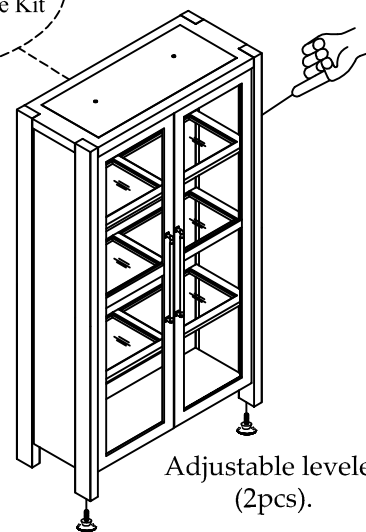
screwdriver  
(not included)

**STEP 4**



Tipping Restraint Hardware Kit  
Inside Bag

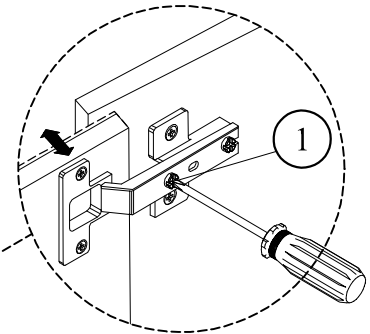
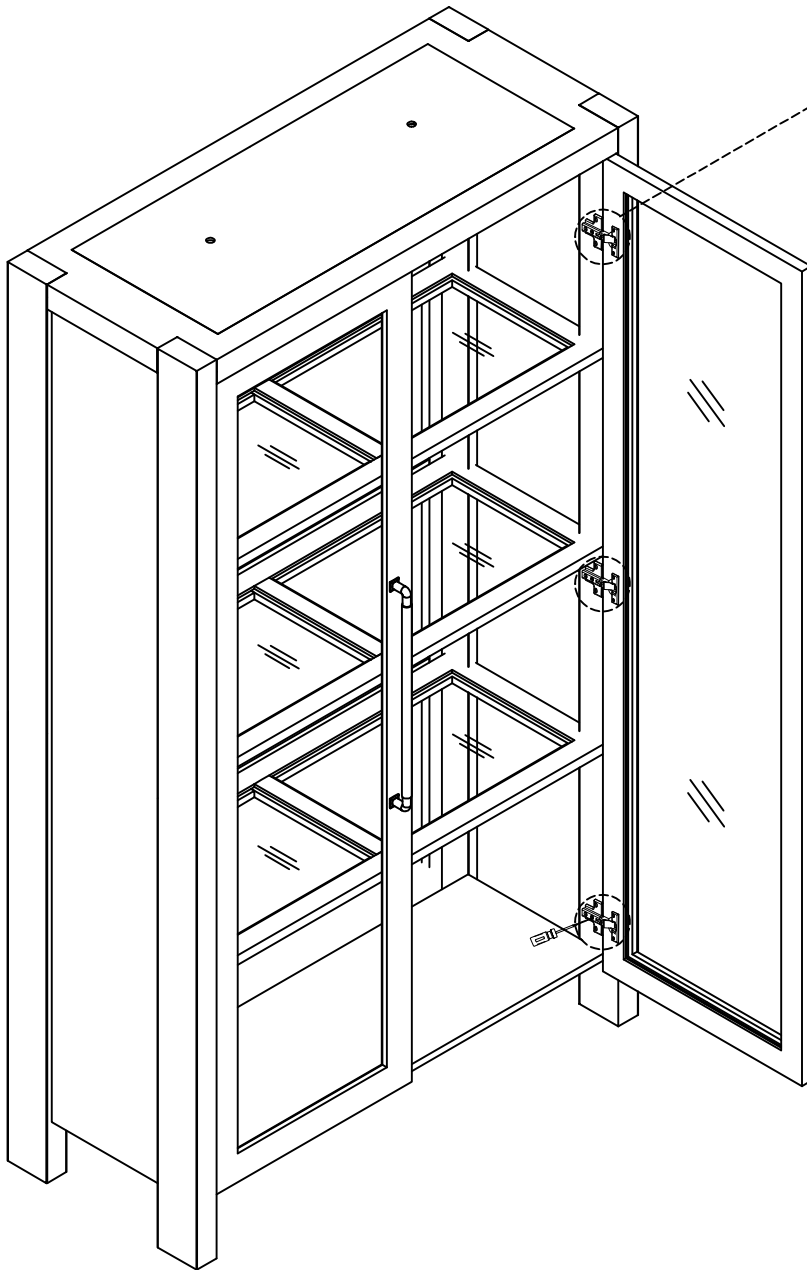
The light is operated by touching the metal button located on the right side of the cabinet.



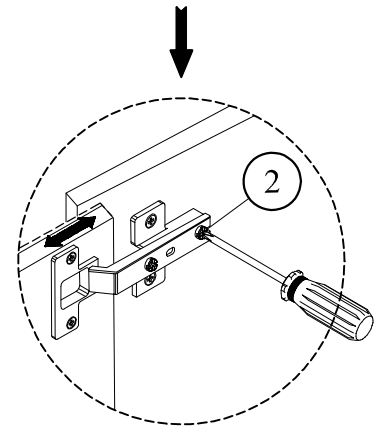
Adjustable leveler  
(2pcs).

For product and personal safety, a Furniture Tipping Restraint kit has been included with this unit which can help to minimize the risk of the unit accidentally tipping forward, if used and properly installed per the kit manufacturer's instructions.

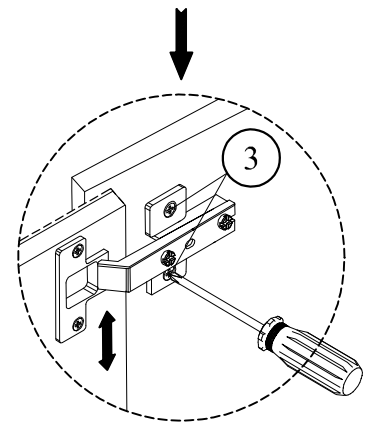
## Hinge Adjustment Steps



**Door Angle Adjustment**  
loosen screw 1, adjust gap  
with screw 2 and re-tighten  
Screw 1.



**Horizontal Adjustment**  
loosen screw 1, push hinge  
arm forwards or backwards,  
re-tighten screw 1 and secure  
Screw 2 with a 1/4 turn  
clockwise.



**Vertical Adjustment**  
loosen screw 3, adjust door  
height and re-tighten screw 3.

\* The doors can be adjusted in all 3 directions to create an even fit between doors on this cabinet. Follow the appropriate directions above to adjust door(s) as necessary.